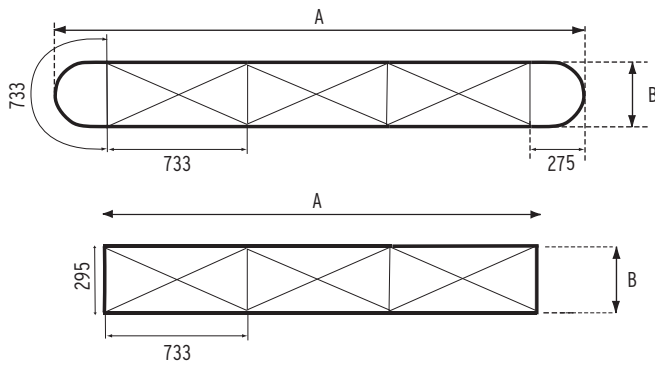
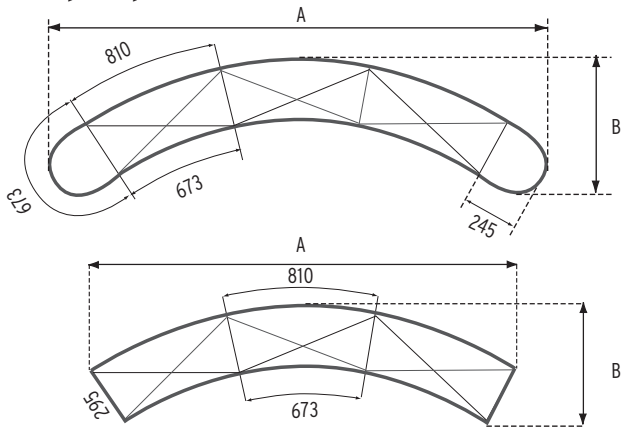
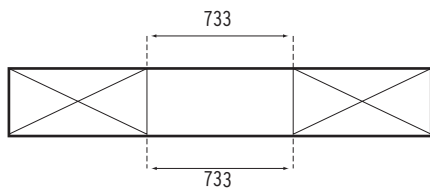


Pop Up Magnetic - dimension sketches

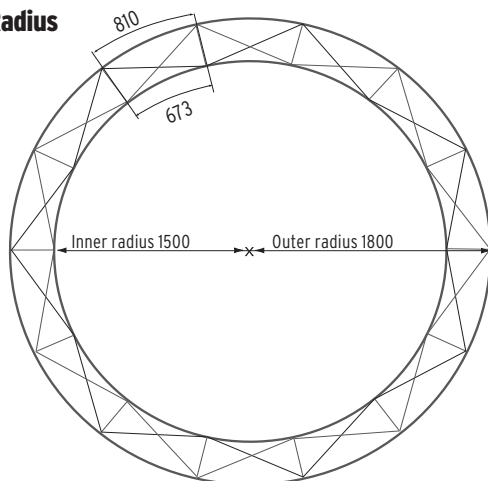
Example 3 squares



Straight connection



Radius



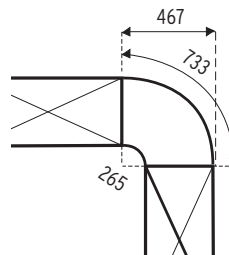
Curved system

Width	Curved side panels		Straight side panels	
	A	B	A	B
1 square	1225	375	846	350
2 squares	1915	510	1607	461
3 squares	2535	710	2290	639
4 squares	3065	970	2860	877
5 squares	3600	1250	3289	1161

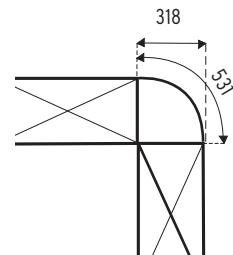
Straight system

Width	Curved side panels		Straight side panels	
	A	B	A	B
1 square	1283	315	779	315
2 squares	2016	315	1512	315
3 squares	2749	315	2245	315
4 squares	3482	315	2978	315
5 squares	4215	315	3711	315

90° connection with panel



with profile



Tower

