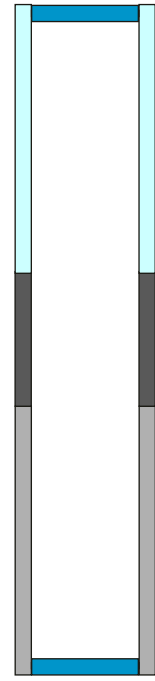
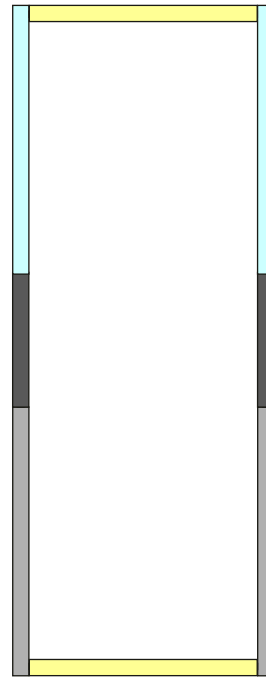
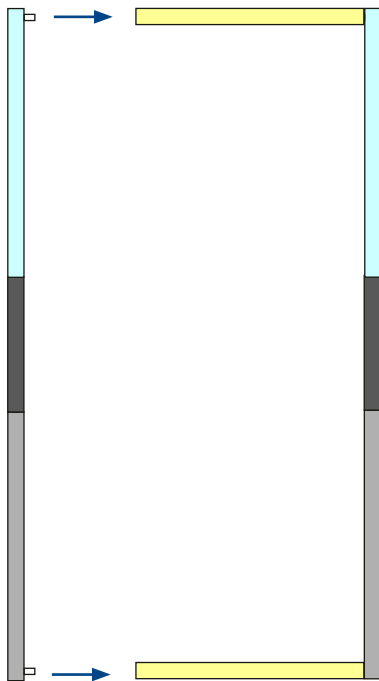
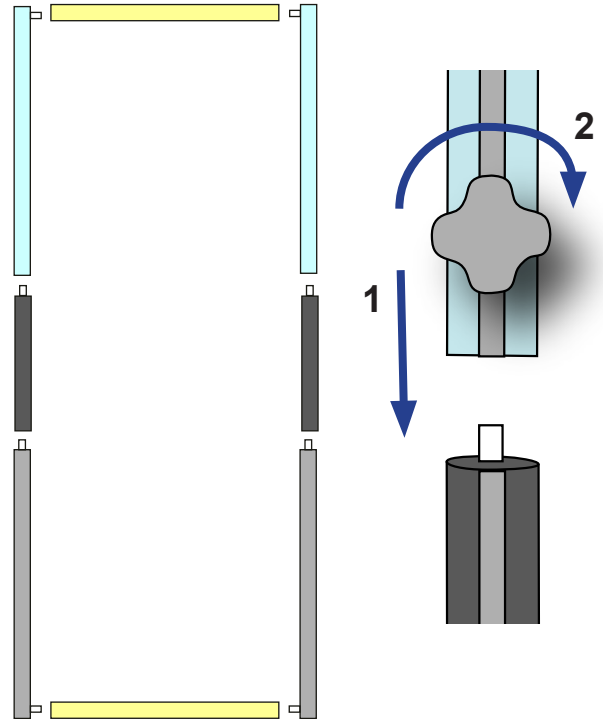
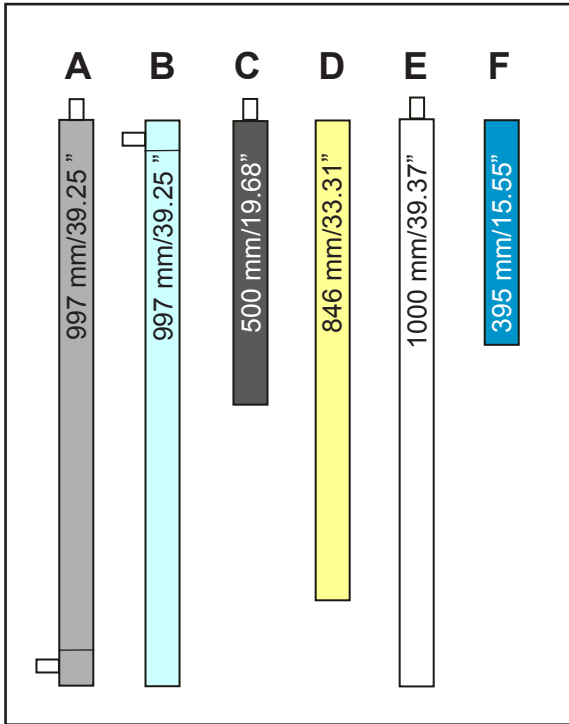


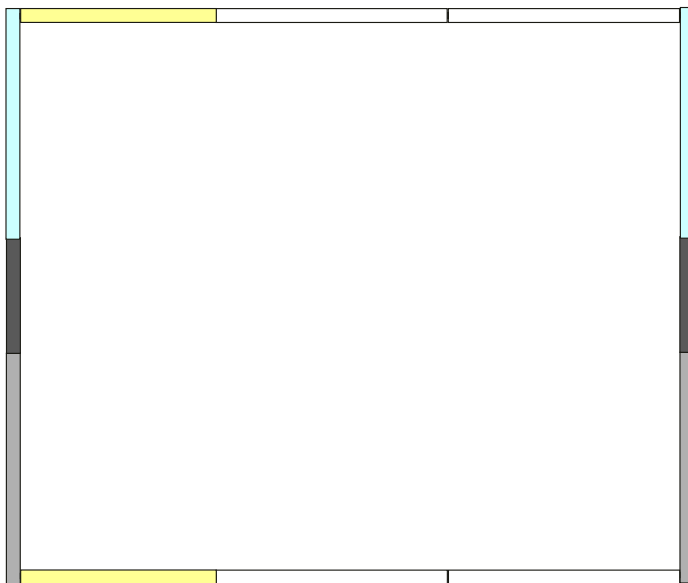
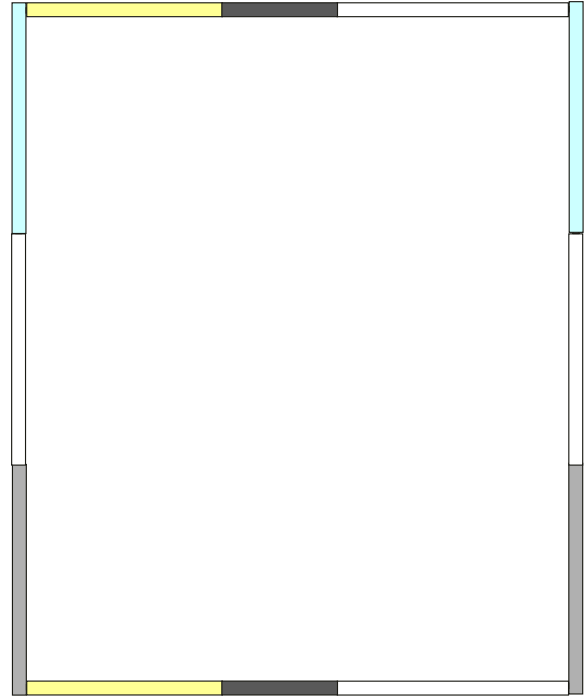
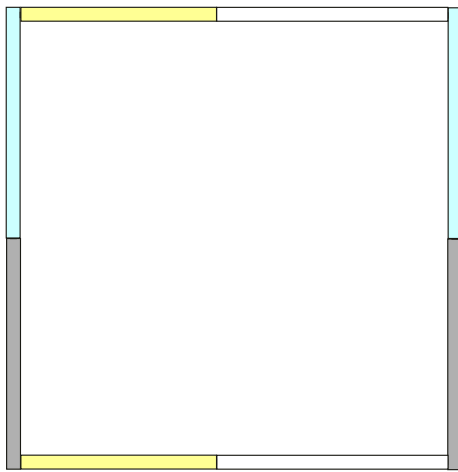
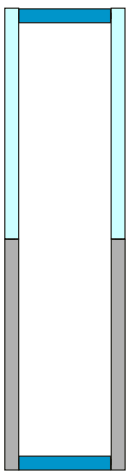
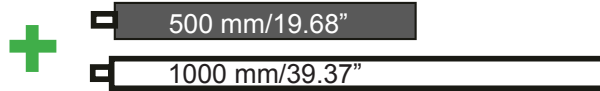
SET UP INSTRUCTION

The Fabric Frame

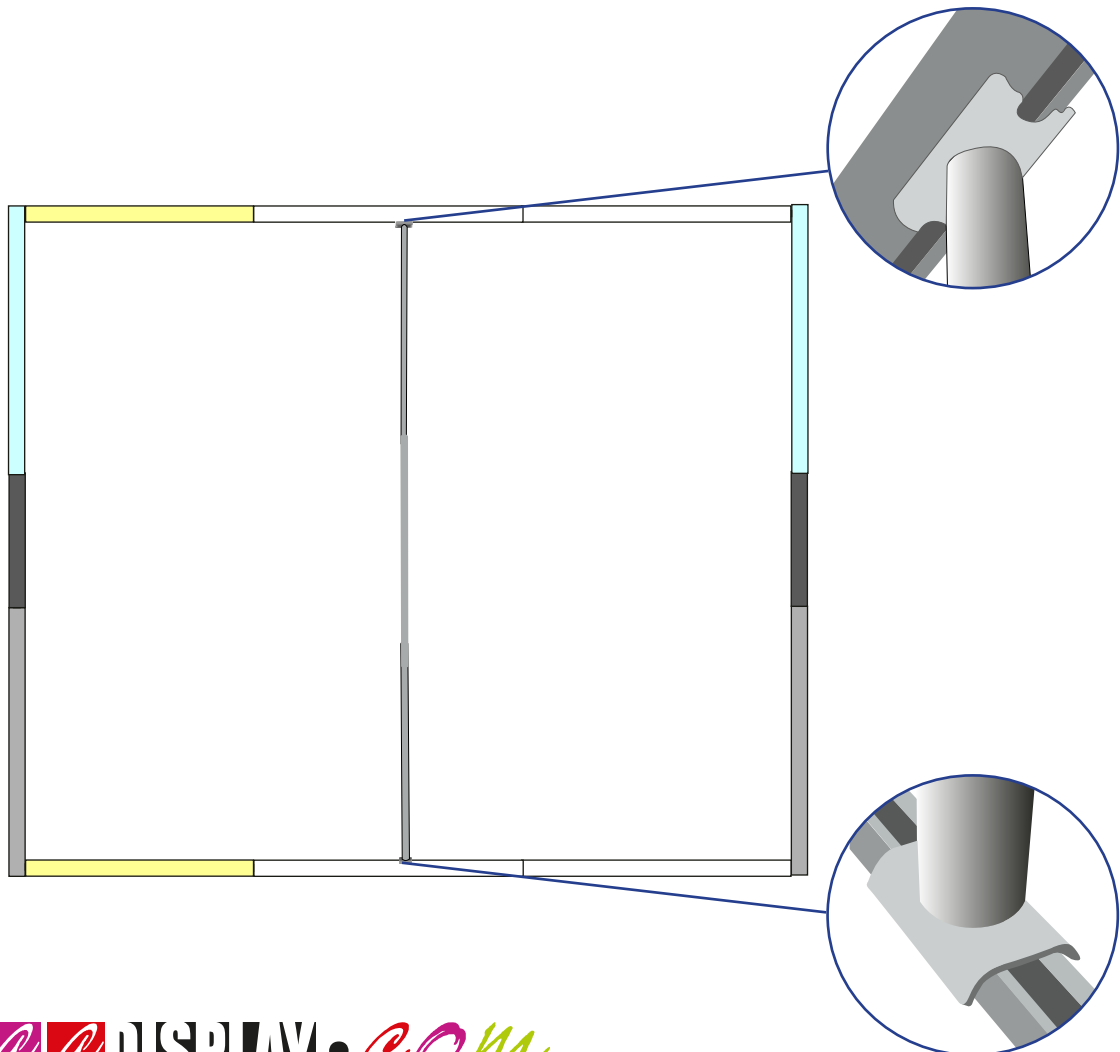
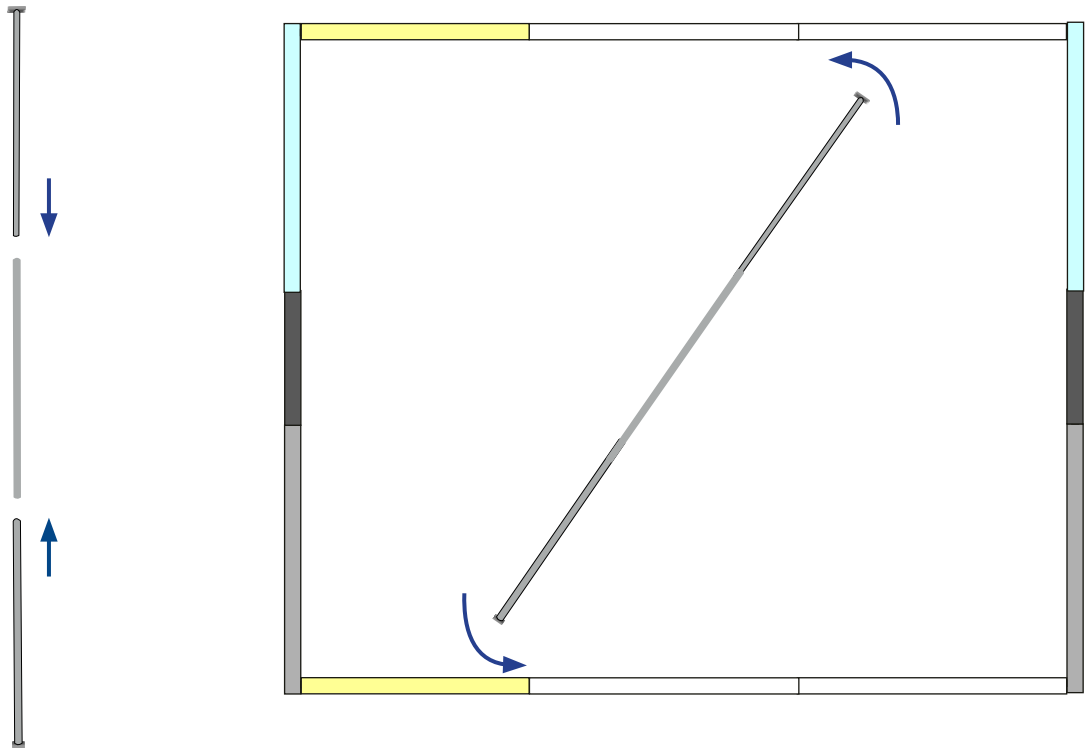
BASIC



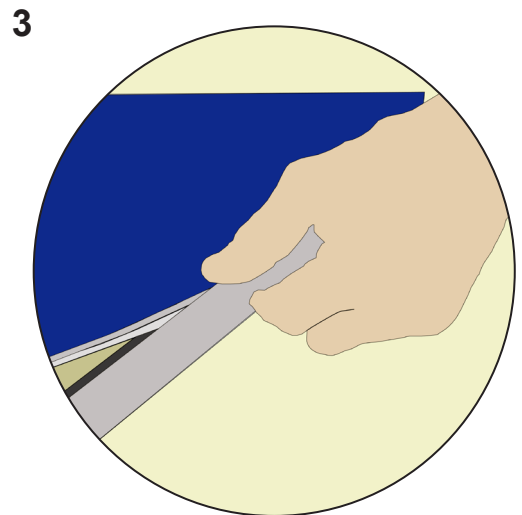
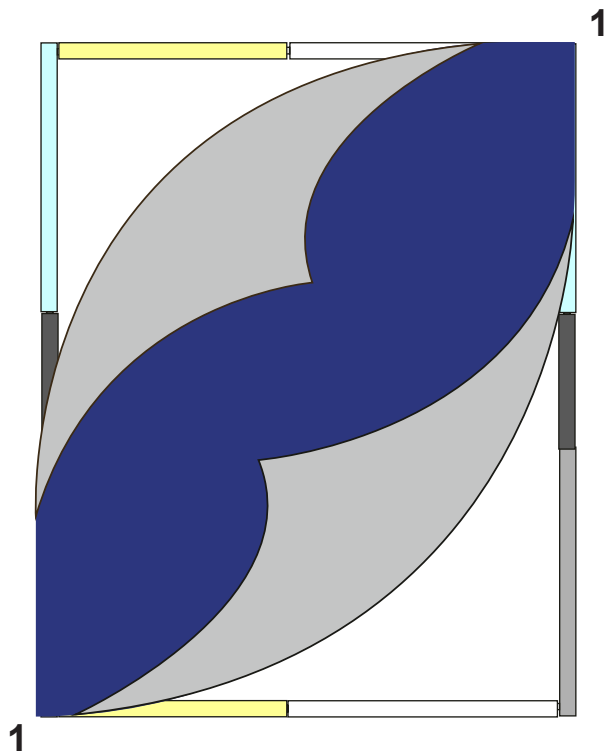
WIDTHS & HEIGHTS



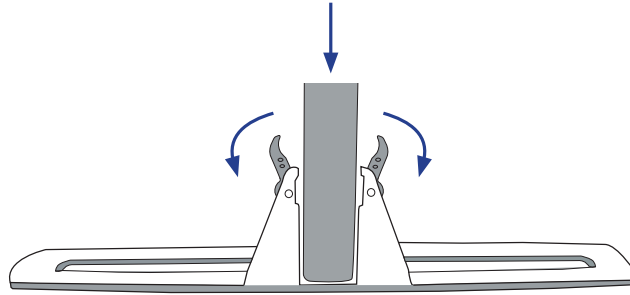
SUPPORTING ROD



MOUNT THE GRAPHIC

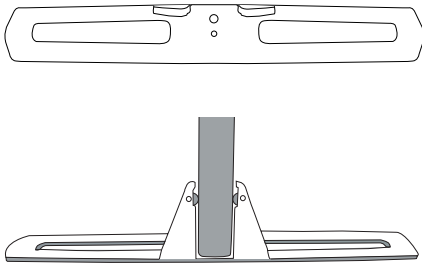


STABILIZING FOOT

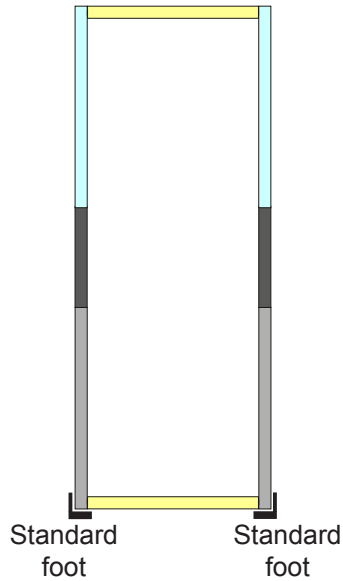
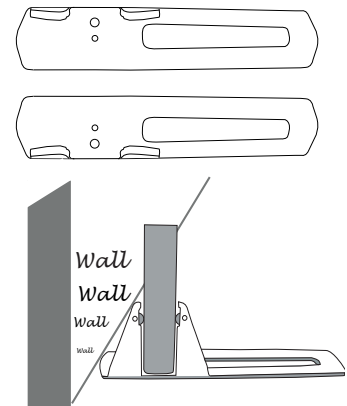


Standard foot

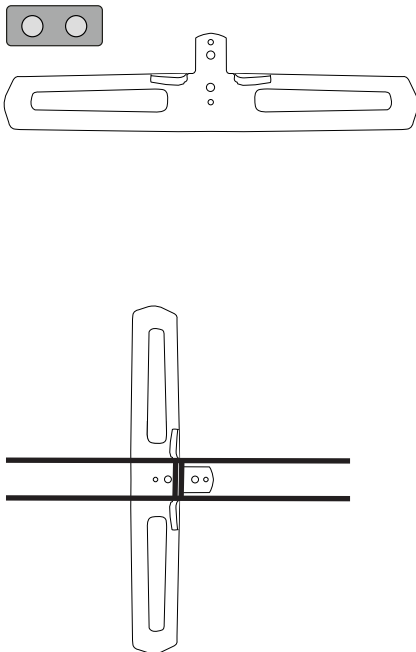
Double-sided



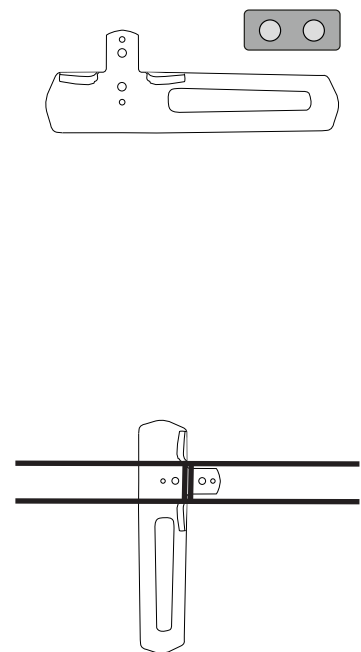
Single-sided



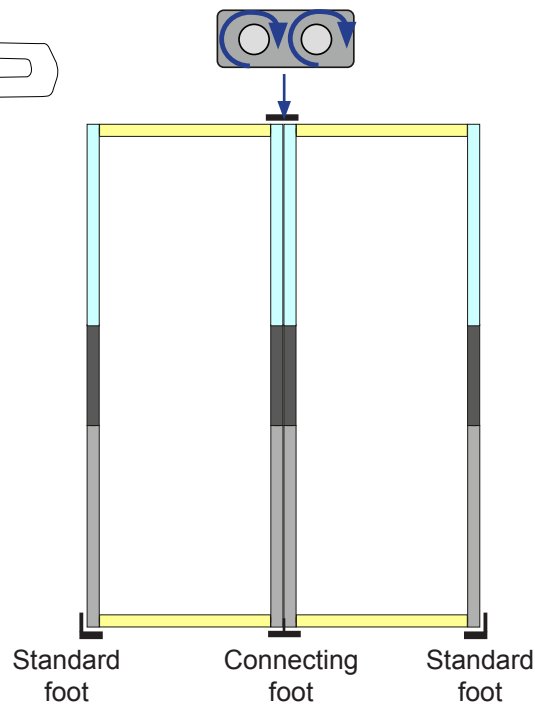
Double-sided



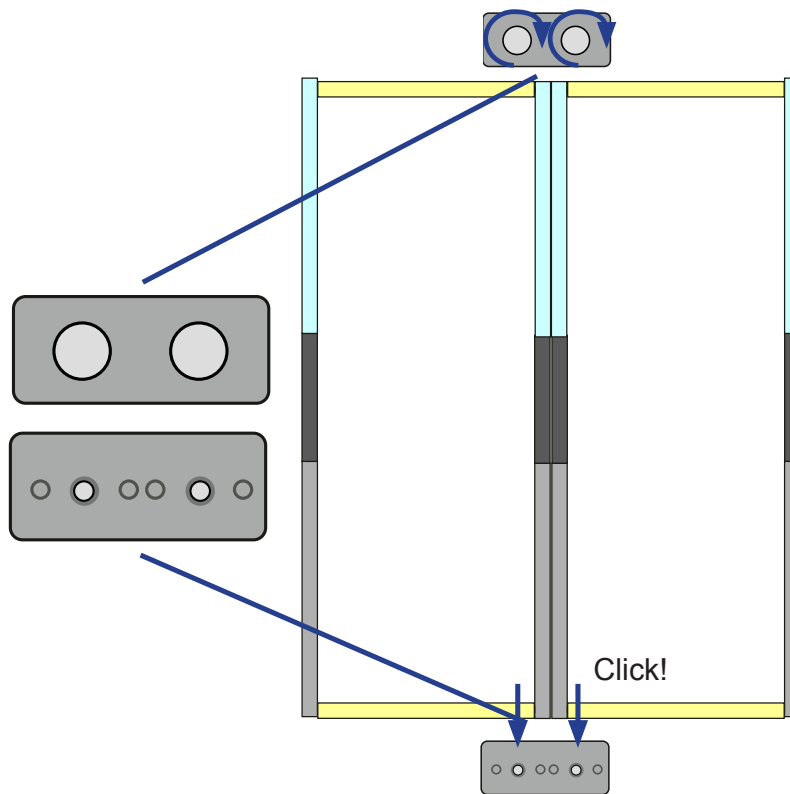
Single-sided



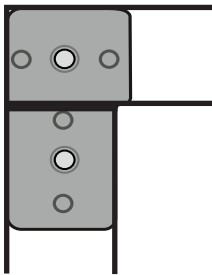
Connecting foot



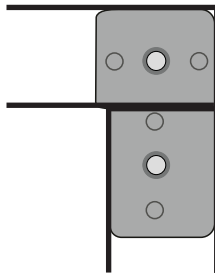
CONNECTORS



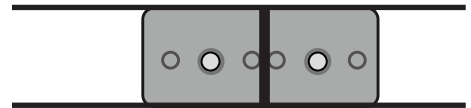
90° type A



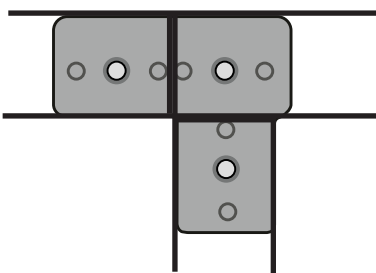
90° type B



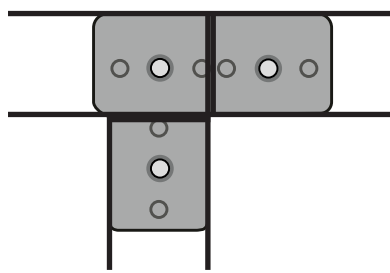
Straight



Triple A



Triple B



Triple C

