

# SFI Technical form & Price list



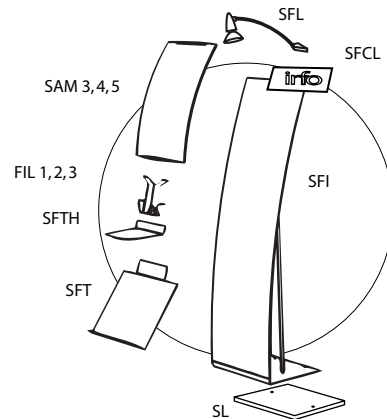
## Description

SFI adjustable, perforated, curved display unit with or without trays and poster mounting.

Brand : Signarco®  
 Designer : Stéphane Geslin  
 Made in France

Individually boxed  
 Double-flap resilience  
 « Douffline » and anti-deformation  
 protective foam

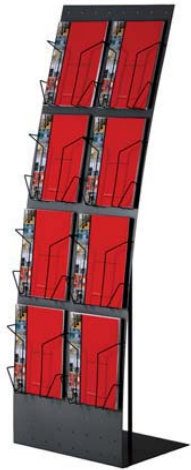
**i** with ballast or fixed on floor  
 (see accessories)



Materials : 2 mm steel			SFI SIGNARCO® Range		
<b>Finishings:</b> High-resistance industrial epoxy paint			Weight	Contents	UP en €
Standard colours					
grey 9006 (alu)					
Matt black					
SFI		Single perforated display unit (240 x 1500 mm)	9 kg		198,50
Accessories				wire tray max. SFI	
FIL1		Wire tray for A4 size document (width 230 mm ; depth 35 mm)	0,08 kg	4	8,90
FIL2		Wire tray for A5 size document (width 154 mm ; depth 35 mm)	0,06 kg	5	8,50
FIL3		Wire tray for 1/3 A4 size document (width 108 mm ; depth 35 mm)	0,05 kg	10	7,90
SAM4		Poster frame A4 (21 x 29,7 mm) (Vertical or Horizontal)	0,8 kg		57,80
SAM3		Poster frame A3 (29,7 x 42 mm) (Vertical or Horizontal)	0,8 kg		73,50
SAM5		Poster frame 40 x 60 (400 x 600 mm) (Vertical)	2,2 kg		92,40
SL		Ballast to screw (240 x 350 mm)	6,2 kg		73,50
SFL		Low-wattage lighting (20w)	0,4 kg		119,00
SFTH		Horizontal shelf (200 x 240 mm)	0,9 kg	2	60,90
SFT		Book support (350 x 460 mm)	2,3 kg		84,00
Option		Ring bindings $\varnothing$ 15 mm entraxe de fixation 265 mm	0,04 kg		10,40
SFCL		Clip for titling on SFI (120 x 240 mm)	0,45 kg		32,60

# SFIXL Technical form & Price list

411,40 € UP



499 € UP



## Description

Perforated double width curved display unit with or without adjustable trays.

Brand : Signarco®  
 Designer : Stéphane Geslin  
 Made in France

**i** with ballast or fixed on floor (see accessories)

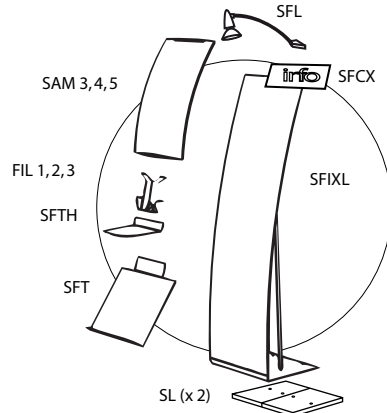
Individually boxed  
 Double-flap resilience  
 « Douffline » and anti-deformation protective foam



456 € UP



561 € UP



Materials : 2 mm steel Finishings: High-resistance industrial epoxy paint				SFIXL SIGNARCO® Range		
Standard colours grey 9006 (alu)				Weight	Contents	UP en €
Matt black						
	SFIXL	Double perforated display unit (480 x 1500 mm)		18 kg		340,20
		<b>Accessories</b>			wire tray max. on SFIXL	
	FIL1	Wire tray for A4 size document (width 230 mm ; depth 35 mm)		0,08 kg	8	8,90
	FIL2	Wire tray for A5 size document (width 154 mm ; depth 35 mm)		0,062 kg	10	8,50
	FIL3	Wire tray for 1/3 A4 size document (width 108 mm ; depth 35 mm)		0,054 kg	20	7,90
	SAM4	Poster frame A4 (21 x 29,7 mm) (Vertical ou Horizontal)		0,8 kg		57,80
	SAM3	Poster frame A3 (29,7 x 42 mm) (Vertical ou Horizontal)		0,8 kg		73,50
	SAM5	Poster frame 40 x 60 (400 x 600 mm) (Vertical)		2,2 kg		92,40
	SAM2	Poster frame 60 x 80 (640 x 835 mm) (Vertical)		4,4 kg		154,40
	SL	Ballast to screw (240 x 350 mm) 2 units required		6,2 kg		73,50
	SFL	Low-wattage lighting (20w)		0,4 kg		119,00
	SFTH	Horizontal shelf (200 x 240 mm)		0,9 kg	2	60,90
	SFT	Book support (350 x 460 mm)		2,3 kg		84,00
	Option	Ring bindings Ø 15 mm entraxe de fixation 265 mm		0,04 kg		10,40
	SFCX	Clip for titling on SFIXL (hauteur 120 x 480 mm)		0,45 kg		50,40